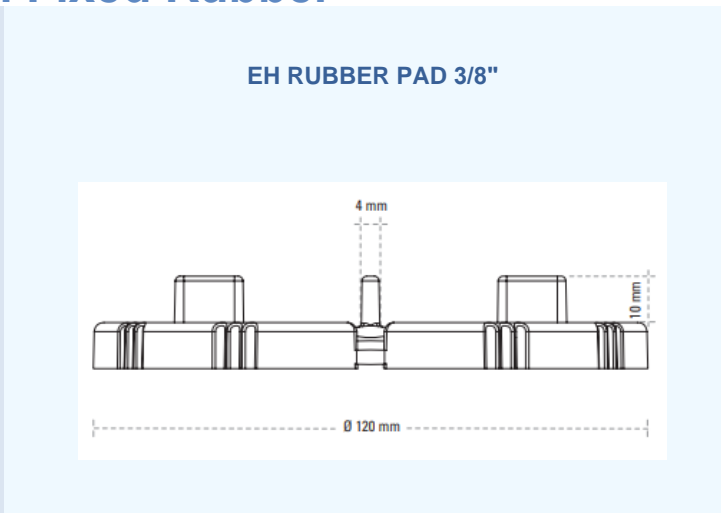




TECHINCAL DATASHEET

3/8" Tall Fixed Rubber



ITEM SPECIFICATION

Supply and installation of "EH RUBBER PAD" raised floor supports. EH RUBBER 3/8" is a recyclable SBS rubber support, diameter of 4-3/4" (120mm) and with a height of 3/8" (10mm). There are 4 spacer tabs that are 25/64" (10 mm) tall and 5/32" (4mm) wide. It's can be used separately or overlapped with the EH RUBBER 1/4", until the desired height is reached. High property in noise reduction.

PRODUCT RANGE	PEDESTAL
---------------	----------

PRODUCT NAME	EH RUBBER PAD
CHARACTERISTICS	Height of 3/8" (10mm) Height to pack using both components is 5/8" (16mm); 4 removable spacers, height 3/8" (10mm), thickness (4mm)
PAW MATERIAL	SBS
ENVIROMENTAL IMPACT	Recyclable material – non dangerous
APPLICATION SURFACE	On any waterproofing membrane surface, or any insulating panel or any compact and solid surface.
APPLICATION AREA	With any self-supporting prefabricated element for outdoor flooring, with a minimum thickness of 19/32" (15mm)

CHARACTERISTICS	UNIT Inches	UNIT mm	TOLLERANCE
BASE DIAMETER	4-3/4"	120	+/- mm 1,0
BASE THICKNESS	3/8"	10	+/- mm 0,2
MINIMUM HEIGHT	3/8"	10	+/- mm 1,0
TABS THICKNESS	5/32"	4	+/- mm 0,2
TABS HEIGHT	3/8"	10	+/- mm 0,2
WEIGHT	.14 lbs	0.062 kg	+/- 5 %

TECHNICAL PROPERTIES	Applied force	8000N	10000N	14000N
RELATIONSHIP BETWEEN FORCE AND CRUSHING	EH RUBBER 3/8"	1/16" (1.7 mm)	1/16" (2.2 mm)	1/8" (3 mm)
	EH RUBBER 3/8" + 1/4"	7/64" (2.9 mm)	3/16" (4.6 mm)	1/4" (6 mm)
TECHNICAL PROPERTIES OF MATERIALS		UNIT	VALUE	
SHORE		Shore d	70 (+/- 3)	
* Tests carried internally = 271 lbs (98.6 Kg)				
PACKAGING AND STORAGE				
PIECES PER BOX		150		
PIECES PER PALLET		n/a		
BOX DIMENSION		n/a		
BOX WEIGHT		n/a		
PALLET DIMENSION		n/a		
LAYING OF PRODUCT	The product is simply laid on the laying area, with no need of any glue or fixing			

The above data are relevant to current production and may be changed or updated by MRP Supports (Eterno) at any time without notice.

Given the many possible uses and the possible interference of external elements, we do not assume responsibility for the results. The buyer is required to establish under their own responsibility the suitability of the product for the intended use. This document is property of MRP Supports (Eterno). All rights reserved.



MRP Supports, LLC
 3310 N Benzing Road
 Orchard Park, NY 14127
 Ph: 800-828-8424
 Web: www.mrpsupports.com
 Email: mrp@mrpsupports.com