

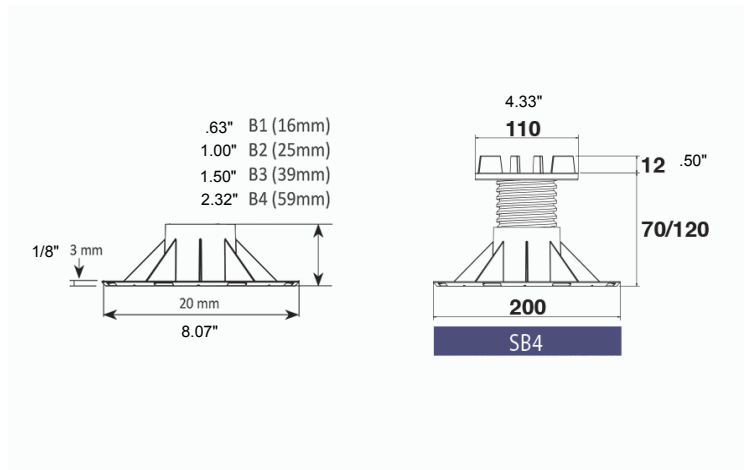


TECHNICAL DATA SHEET

SB 4



ADJUSTABLE PAVING SUPPORT BASIC



ITEM SPECIFICATION

"Basic" type pedestal for raised floors with adjustable height from 2.75" (70mm) to 4.72" (120mm). Pedestals are composed by a cylindrical base element of 8.07" (205 mm) diameter for resting on the laying surface and by an intermediate screw with head element with 4 tabs of 5/32" (12 mm) in .50" (4 mm) thickness. Base is provided of holes for water drainage and of 4 precut lines to facilitate any cutting of the base in case of need.

PRODUCT RANGE

PEDESTAL

PRODUCT NAME

SB 4

CHARACTERISTICS

regulation in highness

RAW MATERIAL

Polypropylene

ENVIRONMENTAL IMPACT

recyclable material - non dangerous

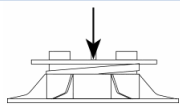
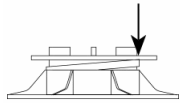
APPLICATIONS SURFACES

On any waterproofing membrane, or any insulating panel or any compact and solid surface

APPLICATIONS AREA

Usable with any prefabricated self sustaining element for exterior flooring

CHARACTERISTICS	INCHES	MM	TOLERANCE
BASE DIAMETER	7.67"	195	+/- mm 1,0
BASE THICKNESS	.12"	3	+/- mm 0,2
HEAD DIAMETER	4.33"	110	+/- mm 0,8
LAYING SURFACE OF THE BASE	46.19 sq"	298cm ²	+/- cmq 5
MINIMUM HEIGHNESS	2.75"	70	+/- mm 1,0
MAXIMUM HEIGHNESS	4.72"	120	+/- mm 1,5
TABS THICKNESS	5/32"	4	+/- mm 0,2
TABS HIGHNESS	.50"	12	+/- mm 0,2
WEIGHT	.55 lbs	0,250 kg	+/- 5 %

TECHNICAL PROPERTIES		UNIT	VALUE
CENTRAL COMPRESSION LOADING LIMIT RESISTANCE* <small>(calculated at medium highness, between minimum and maximum extension)</small>		KN	19,21
ECCENTRIC COMPRESSION LOADING LIMIT RESISTANCE* <small>(calculated at medium highness, between minimum and maximum extension)</small>		KN	11,38
SLOPE CORRECTION		%	0 - 5
SHORE		Shore d	70 (+/- 3)

*Tests made by Civil and Environmental Department of University of Padova. 1 KN = 98,6 Kg

PHYSICAL PROPERTIES	METHOD	UNIT	VALUE
FIRE REACTION*	UNI EN 13501-1:2009	class	E
LOW TEMPERATURES REACTION			-40°

*Tests made by Giordano S.p.A. Institute of Bellaria-Iaeca Marina (RN)-Italy

PACKAGING AND STORAGE			
PIECES PER BOX		25	
PIECES PER PALLET		30	
BOX DIMENSION		tbd	
BOX WEIGHT		tbd	
PALLET DIMENSION		tbd	

The packing of the supports is made of boxes. The final pallets are wrapped. We recommend to store indoor, pallets to be protected from the rain.

LAYING OF THE PRODUCT	
	The product is simply laid on the laying area, with no need of any glue or fixing

The above data are relevant to current production and may be changed or updated by MRP Supports (Eterno) at any time without notice.

Given the many possible uses and the possible interference of external elements, we do not assume responsibility for the results. The buyer is required to establish under their own responsibility the suitability of the product for the intended use. This document is property of MRP Supports (Eterno). All rights reserved.



MRP Supports, LLC
 3310 N Benzing Road
 Orchard Park, NY 14127
 800-828-8424
 www.mrpsupports.com

